

Name _____ School Team _____

Event 5: Team Problems (with calculators)

5th/6th grade Math Meet '08

Problem 1: Hundreds chart pieces

This is a hundreds chart:

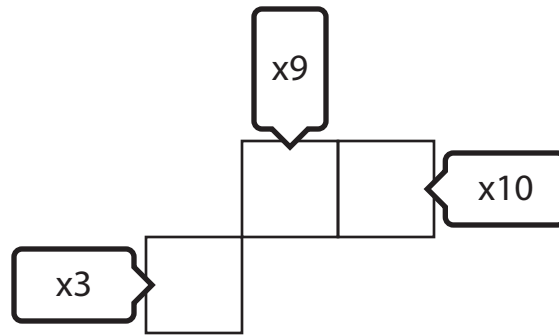
1	2	3	4	5	6	7	8	9	10
11	12	13	14	15	16	17	18	19	20
21	22	23	24	25	26	27	28	29	30
31	32	33	34	35	36	37	38	39	40
41	42	43	44	45	46	47	48	49	50
51	52	53	54	55	56	57	58	59	60
61	62	63	64	65	66	67	68	69	70
71	72	73	74	75	76	77	78	79	80
81	82	83	84	85	86	87	88	89	90
91	92	93	94	95	96	97	98	99	100

You may have used the hundreds chart to learn about numbers and operations.

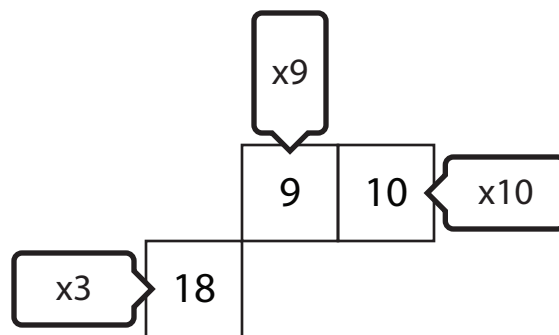
Problem 1: Hundreds chart pieces

Each of the puzzle pieces on the following pages fits on the hundreds chart in one and only one way. Each square is a *multiple* of a certain number, as shown in the clues.

For example ...

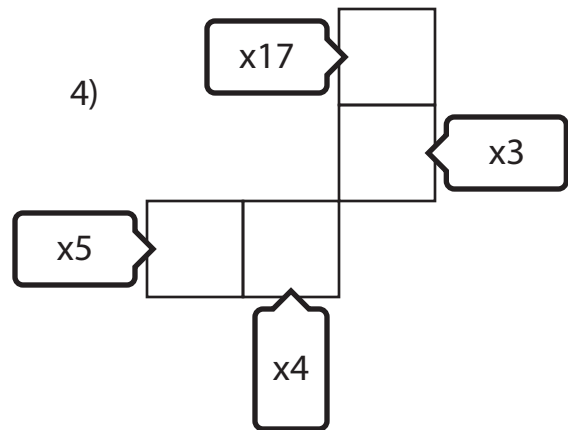
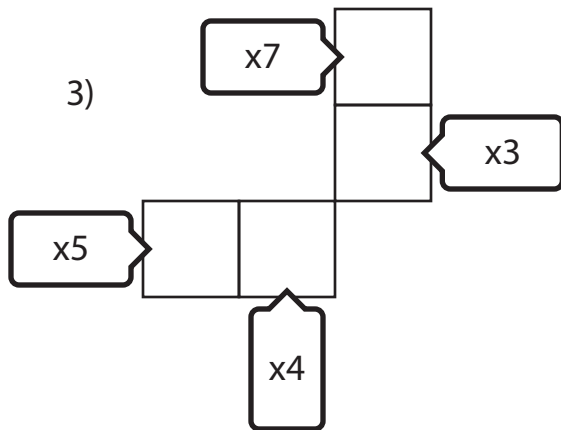
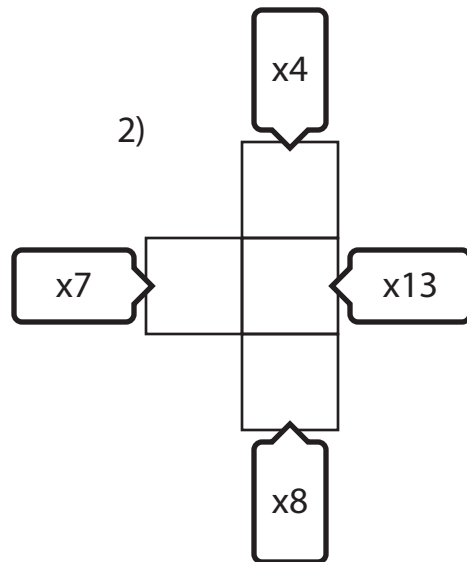
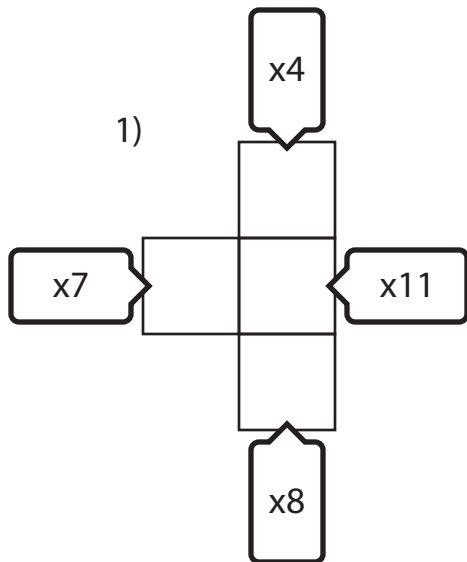


has only one solution that fits on the hundreds chart:



Problem 1: Hundreds chart pieces

For each of the puzzle pieces, write the appropriate numbers directly into each of the squares. (1 pt. for each correctly filled square)



Problem 1: Hundreds chart pieces

Now some of these hundreds chart pieces have clues (in black with white letters) saying that a square is *not* a multiple of a certain number!

For each of the puzzle pieces, write the appropriate numbers directly into each of the squares. (1 pt. for each correctly filled square)

